

Disk Type Air Diffuser

Super Diffuser

— *Feature 1* —

Three types of joint piping

Screw size:

PT $\frac{3}{4}$ B, PT1B, PT1 $\frac{1}{4}$ B

— *Feature 2* —

Excellent in corrosion resistance

ABS body and soft PVC valve
are chemical resistant.



— *Feature 3* —

Small in pressure loss
Flexible valve reduces pressure loss.

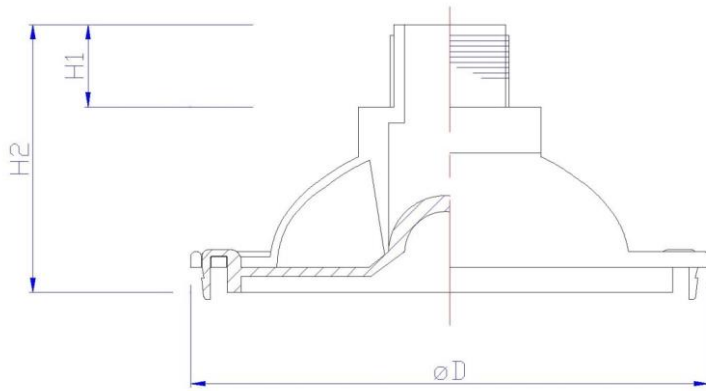
— *Feature 4* —

Mini type is available.

Mini (Airflow: 30-150 L/min)
can be chosen as needed.

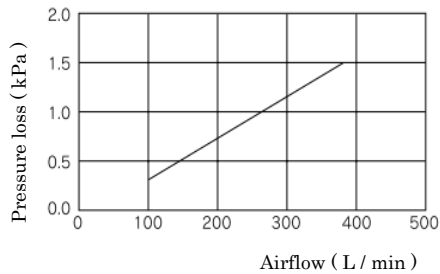


Kansai Kasei Co., Ltd.

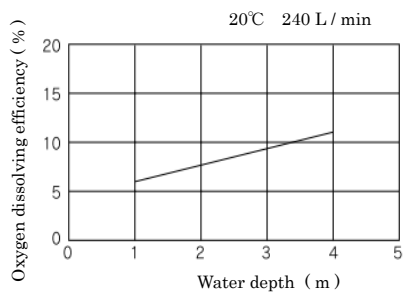


	ΦD	H1	H2
Regular	144	22	74
Mini	100	23	50

Specifications		
Material	Body	ABS resin
	Valve	Soft PVC
Type	Regular	Mini
Standard airflow	150-450 L/min	30-150 L/min
Weight	130 g	50 g
Fitting screw	PT3/4B	PT3/4B
	PT1B	PT1B
	PT11/4B	-



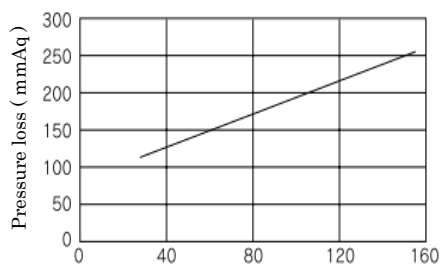
Airflow and Pressure Loss (Regular type)



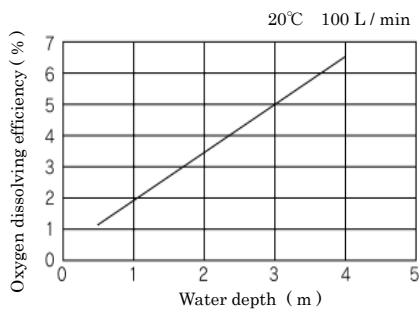
Water Depth and Oxygen Dissolving Efficiency (Regular type)

Chemical Resistance of ABS/Soft PVC		
Chemical [concentration (wt%)]	ABS	Soft PVC
ASTM oil (№ 1-3)		△
Ethanol	△	×
Ferric chloride	◎	◎
Ozone	△	○
Calcium hypochlorite	◎	◎
Sodium hypochlorite [5]	◎	○
Nitric acid [10]	○	○
Calcium hydroxide	◎	◎
Sodium hydroxide	◎	○
Methanol	△	×
Sulfuric acid [10]	◎	◎

* data at room temperature



Airflow and Pressure Loss (Mini type)



Water Depth and Oxygen Dissolving Efficiency (Mini type)

Physical Properties of Soft PVC		
Test Item	Performance /Unit	Test Method
Specific gravity	1.20	JIS K7112
Hardness	74	JIS K7215
Tensile test	Tensile strength	20.6 MPa
	Elongation	418%

 **Kansaikako Co., Ltd.**

9-9 Hiroshibacho Suita city Osaka
564-0052 JAPAN

TEL: +81-6-6192-5830

FAX: +81-6-6192-5831

<http://kansaikako.co.jp/>